

ADIS

AUTOMATIC DOORS

INTRODUCES

NGA-BOS

BREAKOUT DOOR SYSTEM



Automatic sliding doors with break-out fittings suitable for escape routes and access for promotional displays

ADIS
AUTOMATIC DOORS

3/413 VICTORIA STREET - WETHERILL PARK NSW 2164 AUSTRALIA

PHONE: +612 9757 4600 - FAX: +612 9757 4233

TOLL FREE: 1800 600 602

EMAIL: INFO@AUTODOORS.COM.AU

VISIT OUR WEBSITE: WWW.AUTODOORS.COM.AU

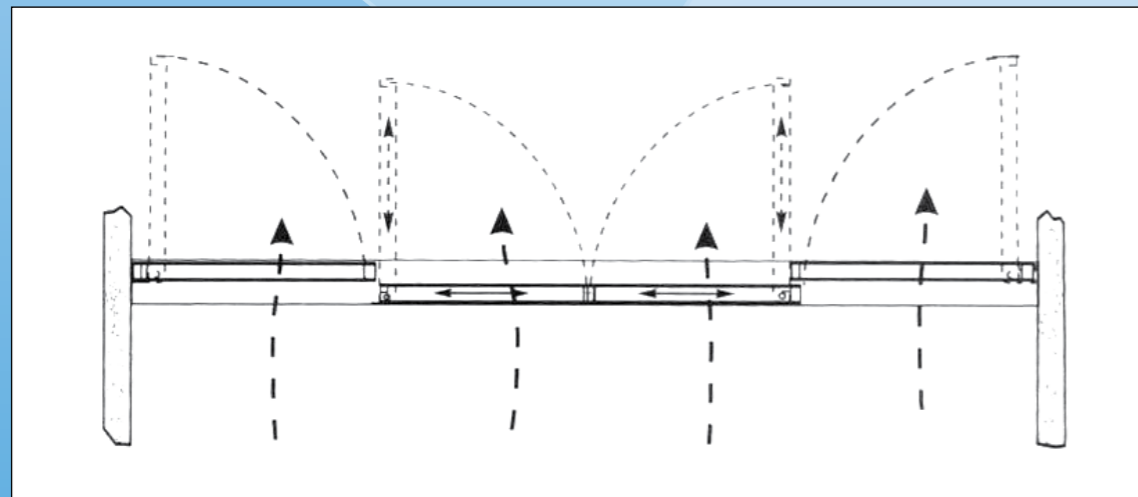
The AUSTRALIAN Automatic Door Company

PRODUCT FEATURES

Type-tested sliding door system with swing-out fittings.

Designed for the use on escape routes

- Swinging out the leaves in escape direction with adjustable force up to 110 N
- Single-leaf and double-leaf design
- With swing-out side panels
- With fixed side panels
- Without side panels
- The low installation height of ADIS BOS is only 135mm tall.
- Allows for max. passage heights & widths.
- Allows easy retrofitting to existing window and façade profiles

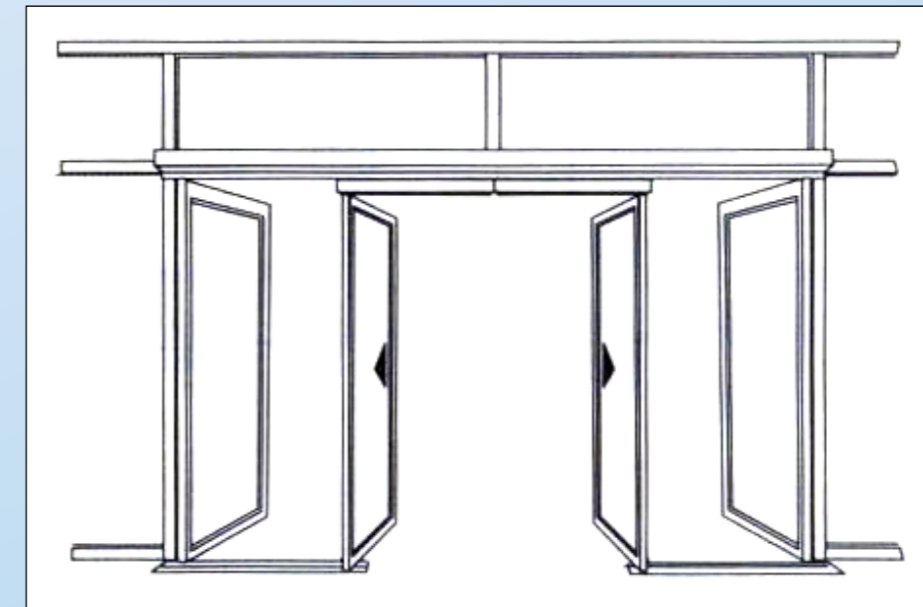


This system allows cherry pickers and other large portable objects to have easy access. For use in car show rooms, shopping centres/clubs and other commercial buildings.

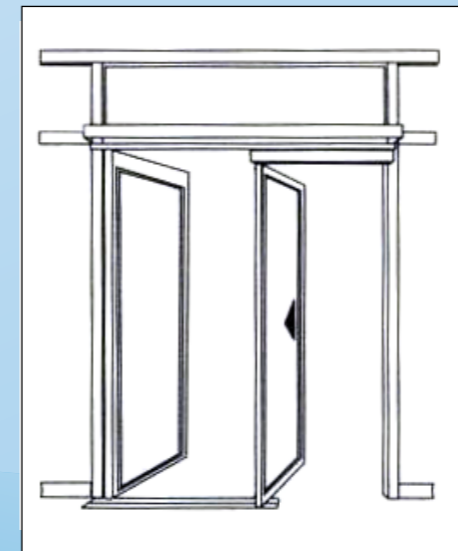
NGA-BOS system allows maximum fire egress to assist with fire exit calculation. For Buildings which require maximum exit provision e.g. theaters, public halls & places of public entertainment + large shopping centres.

The ADIS NGA-BOS emergency egress system is engineered to comply with Australian building code under section D2.19 (b) (v) section D that requires doors to for break open in the direction of travel through out, the full travel of the sliding doors stroke.

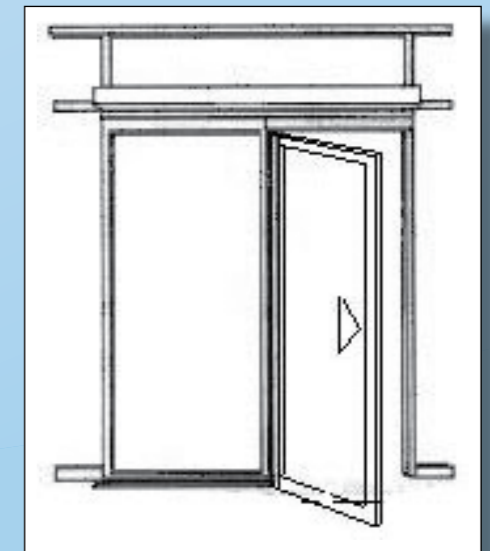
Configuration A:-Bi-Parting with Breakout Panels



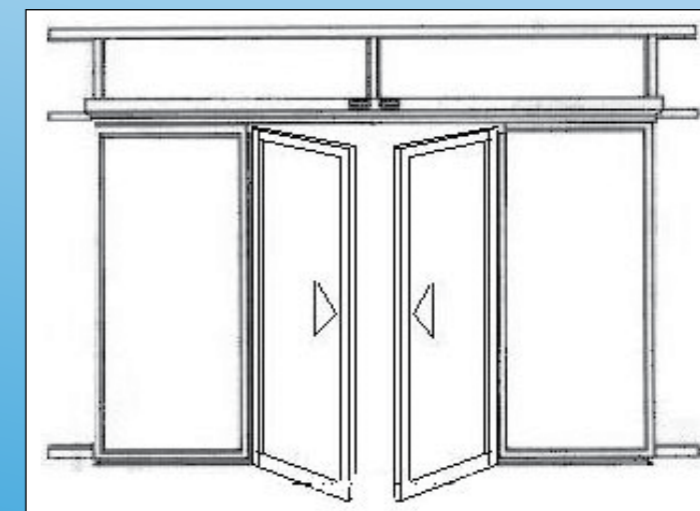
Configuration B:- Single Sliding with breakout sidelight panels .



*Configuration C:- Single Sliding with fixed sidelight panels



*Configuration D:- Bi-Parting with fixed sidelight panels



* NOTE:- For systems with fixed sidelights doors need to be hung on the exterior face of the screen.